

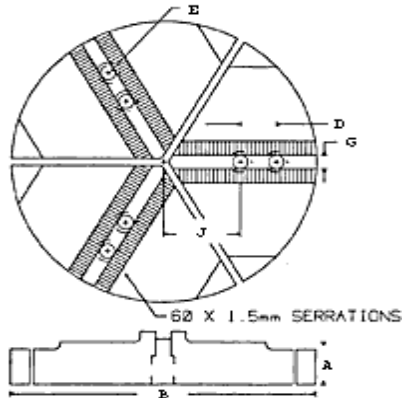
VERTECH INT'L INC

420 Station Road
Quakertown, PA 18951

Phone: 215-529-0300

Fax: 215-529-0469

FULL GRIP SOFT JAWS 1.5 MM X 60 SERRATIONS



Available in 6061-T6 Aluminum

Critical Dimensions						ALUMINUM
Height Inches	Pie Diameter	Center to Center D	Screw Size	Groove Width G	Hole to Front	Vertech Part Number
2.000	6	0.787	10MM	0.472	1.625	RKT 6200A
2.000	8	0.984	12MM	0.551	2.250	RKT 8200A
3.000	8	0.984	12MM	0.551	2.250	RKT 8300A
4.000	8	0.984	12MM	0.551	2.250	RKT 8400CI
2.000	10	1.181	12MM	0.630	2.375	RKT 10200A
3.000	10	1.181	12MM	0.630	2.375	RKT 10300A
2.000	12	1.181	14MM	0.709	2.875	RKT 12200A
3.000	12	1.81	14MM	0.709	2.875	RKT 12300A
2.500	15	1.690	20MM	0.866	3.750	RKT 15250A

Vertech International Inc.

Order Toll Free: 1-877-967-5465 Fax: 215-529-0469

E-Mail: sales@877workhold.com